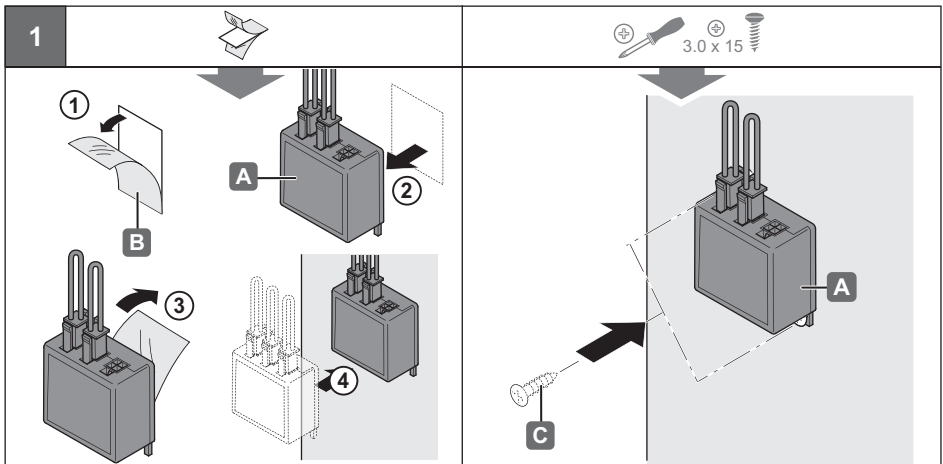
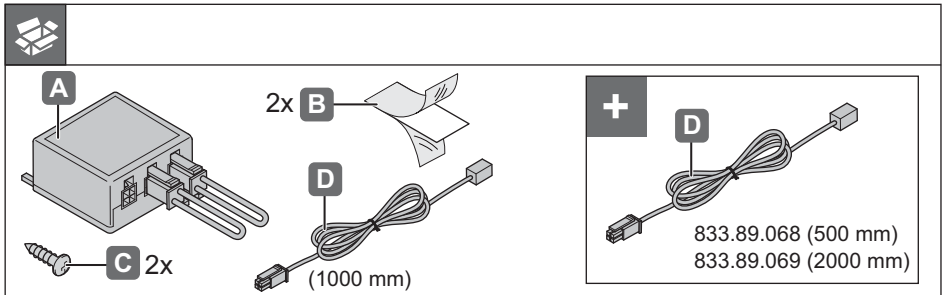




## Multi Switch Box

<div style="display: flex; justify-content: space-between;"> <div style="border: 1px solid black; padding: 2px; font-size: 8px;">12 V System</div> <div style="border: 1px solid black; padding: 2px; font-size: 8px;">24 V System</div> <div style="border: 1px solid black; padding: 2px; font-size: 8px;">350 mA System</div> <div style="border: 1px solid black; padding: 2px; font-size: 8px;">700 mA System</div> </div>	<h3>T<sub>A</sub></h3>																										
833.89.060	<p>0 °C – +45 °C +32 °F – +113 °F</p>	40 x 38 x 17	<table style="width: 100%; border-collapse: collapse;"> <tr> <td style="width: 50%; border-right: 1px solid black;">833.74.900</td> <td style="width: 50%;">833.74.914</td> <td rowspan="3" style="border: 1px solid black; padding: 2px; font-size: 8px; text-align: center;">12 V System</td> </tr> <tr> <td style="border-right: 1px solid black;">833.74.901</td> <td>833.74.917</td> </tr> <tr> <td style="border-right: 1px solid black;">833.74.913</td> <td>833.74.918</td> </tr> <tr> <td style="border-right: 1px solid black;">833.77.900</td> <td>833.77.913</td> <td rowspan="3" style="border: 1px solid black; padding: 2px; font-size: 8px; text-align: center;">24 V System</td> </tr> <tr> <td style="border-right: 1px solid black;">833.77.901</td> <td>833.77.914</td> </tr> <tr> <td style="border-right: 1px solid black;">833.77.912</td> <td>833.77.915</td> </tr> <tr> <td></td> <td style="text-align: center;">833.80.900</td> <td rowspan="2" style="border: 1px solid black; padding: 2px; font-size: 8px; text-align: center;">350 mA System</td> </tr> <tr> <td></td> <td style="text-align: center;">833.80.901</td> </tr> <tr> <td></td> <td style="text-align: center;">833.83.900</td> <td rowspan="2" style="border: 1px solid black; padding: 2px; font-size: 8px; text-align: center;">700 mA System</td> </tr> <tr> <td></td> <td style="text-align: center;">833.83.901</td> </tr> </table>	833.74.900	833.74.914	12 V System	833.74.901	833.74.917	833.74.913	833.74.918	833.77.900	833.77.913	24 V System	833.77.901	833.77.914	833.77.912	833.77.915		833.80.900	350 mA System		833.80.901		833.83.900	700 mA System		833.83.901
833.74.900	833.74.914	12 V System																									
833.74.901	833.74.917																										
833.74.913	833.74.918																										
833.77.900	833.77.913	24 V System																									
833.77.901	833.77.914																										
833.77.912	833.77.915																										
	833.80.900	350 mA System																									
	833.80.901																										
	833.83.900	700 mA System																									
	833.83.901																										



2

833.74.900	833.74.914	12 V System
833.74.901	833.74.917	
833.74.913	833.74.918	
833.77.900	833.77.913	24 V System
833.77.901	833.77.914	
833.77.912	833.77.915	
833.80.900	833.80.901	350 mA System
833.83.900	833.83.901	700 mA System

3

i	[Power Buttons]		
	A	[Light Bulb]	
	12 V System	350 mA System	
	24 V System	700 mA System	

!	[Light Bulb]	$\geq 2W$	$\geq 6W$
	[Power Supply Unit]	833.80.900	833.83.900

!	[Incorrect Connection]	[Correct Connection]
---	------------------------	----------------------